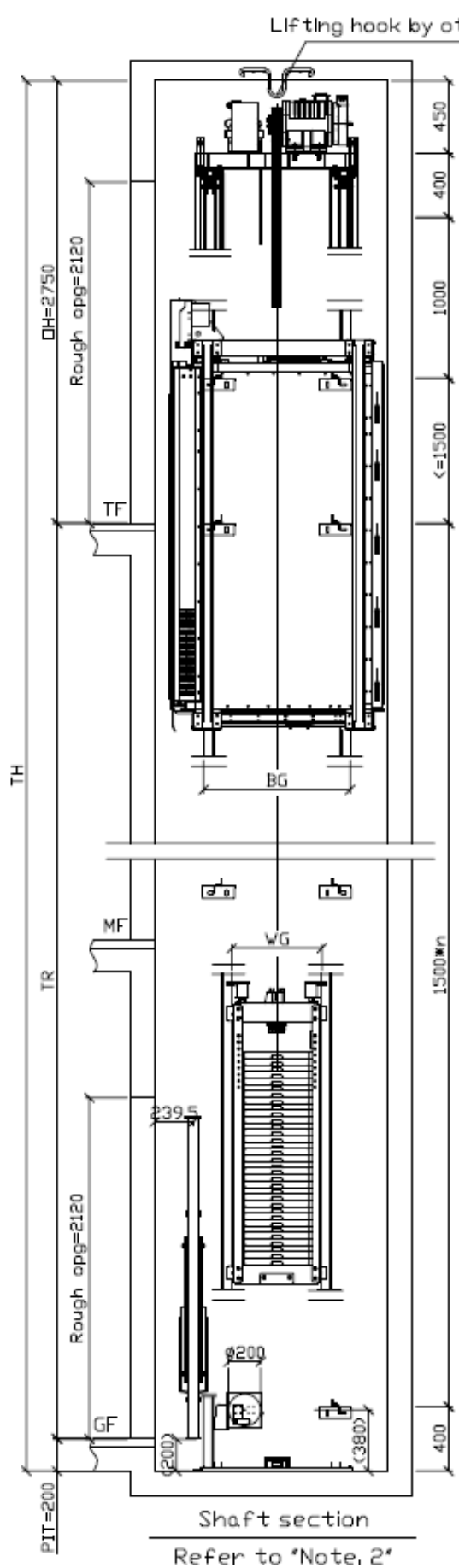
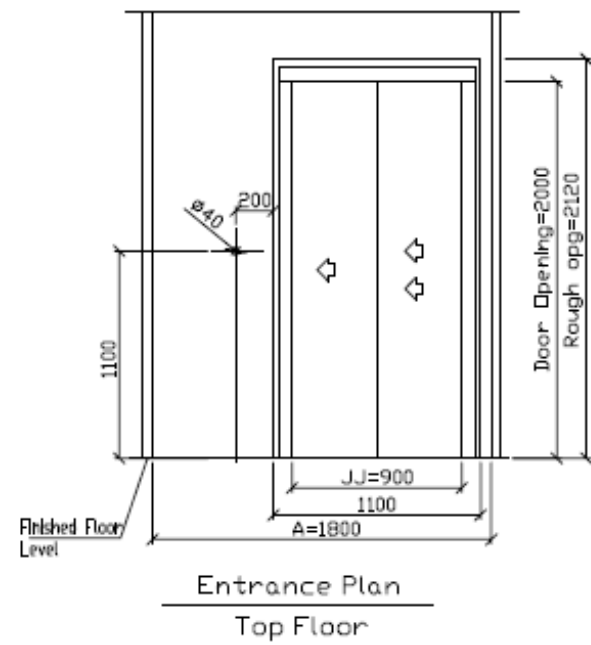


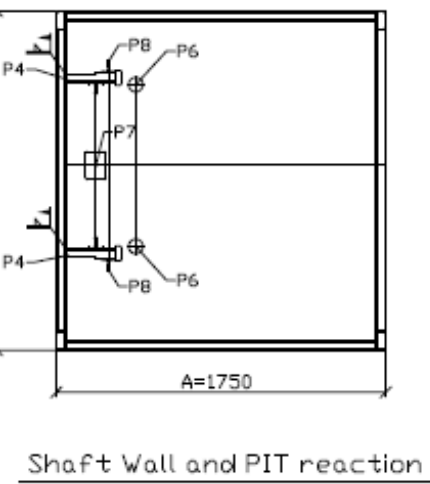
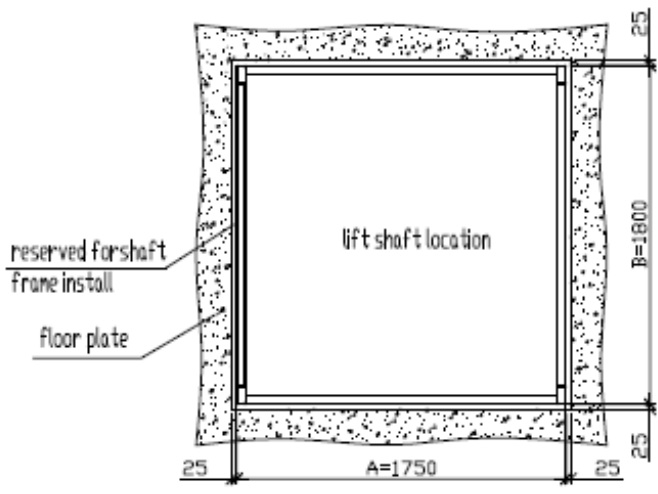
Size(M)	
TH	
TR	
PIT	0.2
4F(OHD)	2.75
3F	
2F	
1F	
GF	
Pro No.(M)	



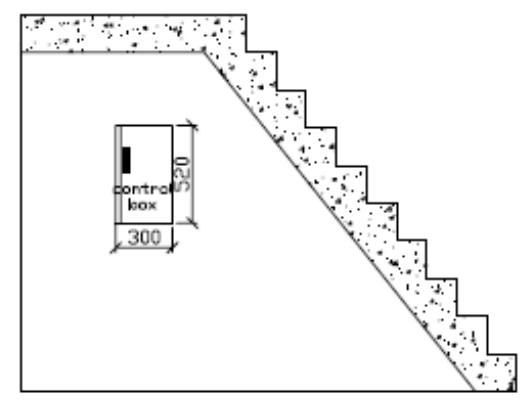
Shaft section
Refer to 'Note. 2'



Entrance Plan
Top Floor

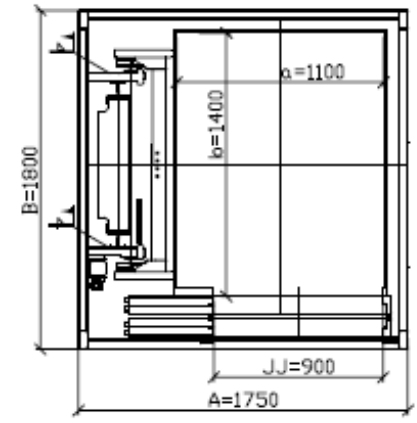


Shaft Wall and PIT reaction



Control Box Plan (G Floor)

Austand CH-3000 Series Pre-Assembled MRL Passenger Lift GAD Drawing Wheel Chair access 450 kg – 6 persons



Lift Plan
(for installation reference)

Project: Austand standard drawing			
Approved by			
Sales Dept.	Client	Architect	Supervisor
Specification			
Type	Austand CH-3000 Series MRL Passenger Elevator		
Drive	AC-VVVF		
Control	Simplex		
Load	450kg-P6		
Speed	0.3m/Sec		
Stops	05/05/05 (Floors / Stops / Doors)		
Supply mains	AC-1P-240V-50HZ-±7%		
Main supply C/B	25A		
Door/Opening	2SL/900W*2000H		
Car	1100W*1400D*2160H		
Shaft	1750W*1800D		
Floor to floor	2500mm(m/n)		
Shaft tolerance	minus 0, plus 13 on walls 20mm in travel		
Travel height	12m(max)		
Pit	200mm		
Overhead	2750mm		
Motor	0.9KW/7.0A		
TM type/sheave	SGM230/D200mm		
Rope	ø8mm(8x19s+NF/Roping 11)		
Rail	CarT75-3/B CWTIKSA		
Control panel	300mm(W)x520mm(H)x160mm(D)		
Std.	AS 1735.12		
Register NO.	ACC-		
Reaction(KN)			
P4=27	Horizontal rail reactions		
P6=30	Car buffer reaction		
P7=24	CWT buffer reaction		
P8=18	Safety gear reaction		
Notes.			
1. Reactions in pit do not act simultaneously			
2. Lift shaft wall on guide rail side must be solid concrete (Timber) structure			
3. Hollow brick is not permissible. Refer to CE for options			
4. Telephone line terminating at controller by others			
5. 240 volts 25 amp power supply terminating at controller, protected by 25 amp MCB by others. Power supply to be fed from live side of Home main switch			
Drawing No.	AH-T450.03S	Approved	
Version	A	Scale	1:1
Date	20-05-2021	Sheet	1/1
		Checked	Tony
		Drawn	Eva
Title :Austand CH-3000 Pre-Assembled MRL Home Lift(6 person)			