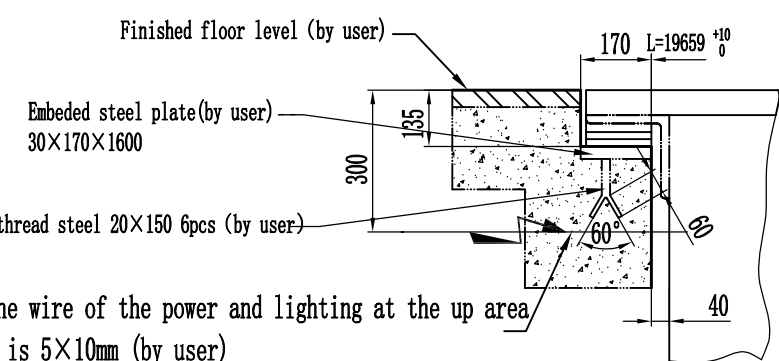


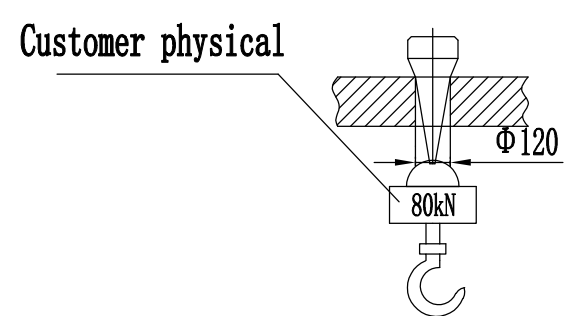
Austand DSE-S Series Pre-Assembled Moving walk s GAD Construction Drawing

Specification parameter		
Type	DSE-S	
Speed (m/s)	0.5m/s	
Rise	H = 4500 mm	
Angle	10°	
Supporting R1 (kN)	48 kN	
Supporting R2 (kN)	43 kN	
Supporting R3 (kN)	100 kN	
power	Power Supply	Three-phase AC 415V 50HZ
	Lighting Supply	Single-phase AC 240V 50HZ
Project name		

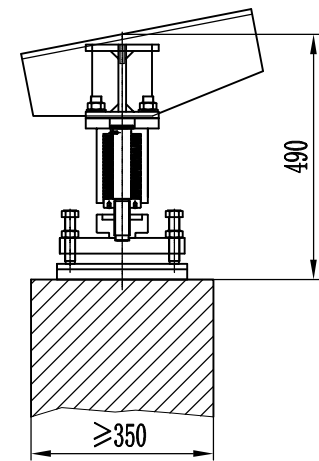
Detail A



Detail B



Detail C



Approving construction based the request of the layoutdrawing			
sealed by buyer			
signed by buyer			
Date	Edition	B	
Drawg No. : DSES-MW10-1000-0.5			
contract number			
Designed by	Eva		
Auditing by	Tony		

Supply the wire of the power and lighting at the up area
The wire is 5×10mm (by user)