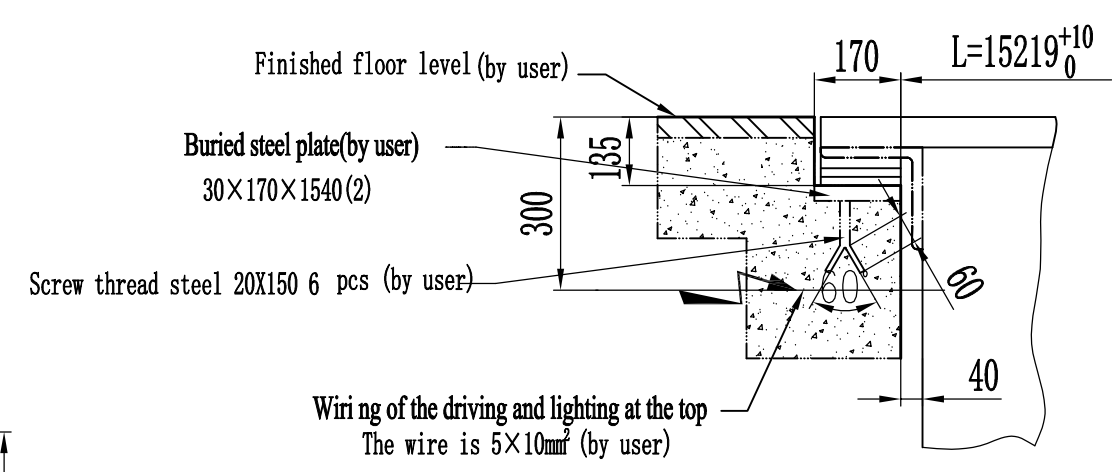
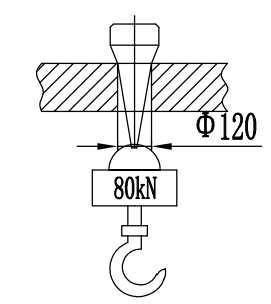


Detail A



Detail B



Austand DSE-A Series Pre-Assembled Escalator GAD Drawing

| Notes: | | Specification parameter | | | |
|--|--|--------------------------------|-----------------|---------------------------|--------------|
| | | Type | DSE-A | | |
| 1. The layout drawing is suitable for the construction which the height is under 6m. | | Speed (m/s) | 0.5m/s | | |
| | | Rise | H =6000mm | | |
| | | Angle | 30° | | |
| | | Supporting R1 (KN) | 79kN | | |
| | | Supporting R2 (KN) | 71kN | | |
| | | Weight (KN) | 83kN | | |
| | | Power | Power supply | Three-phase AC 415V 50HZ | |
| | | | Lighting supply | Single-phase AC 240V 50HZ | |
| | | Drawg No. : DSEA-ES30-1000-0.5 | | Edition: B | contract No. |
| | | Designed by | | Eva | Project |
| Audi tinged by | | Tony | | | |

| CONFIRMATION | |
|--------------|--|
| (stamp) | |
| (signature) | |
| Date | |

