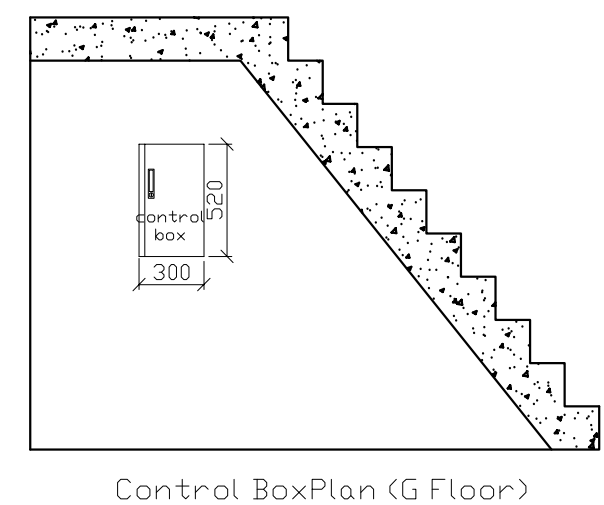
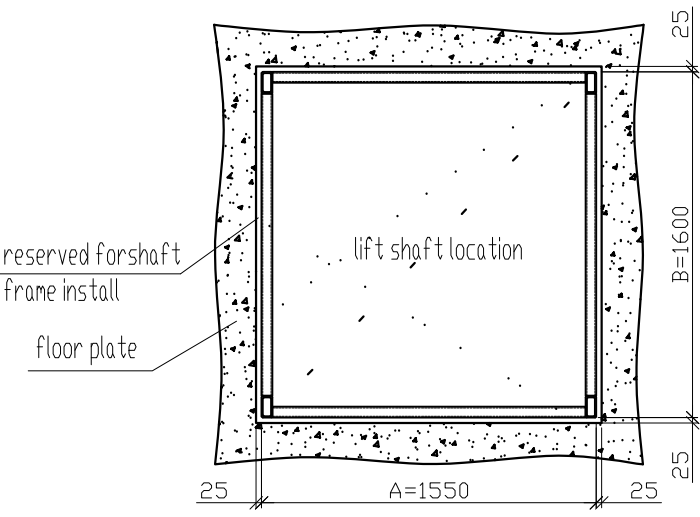
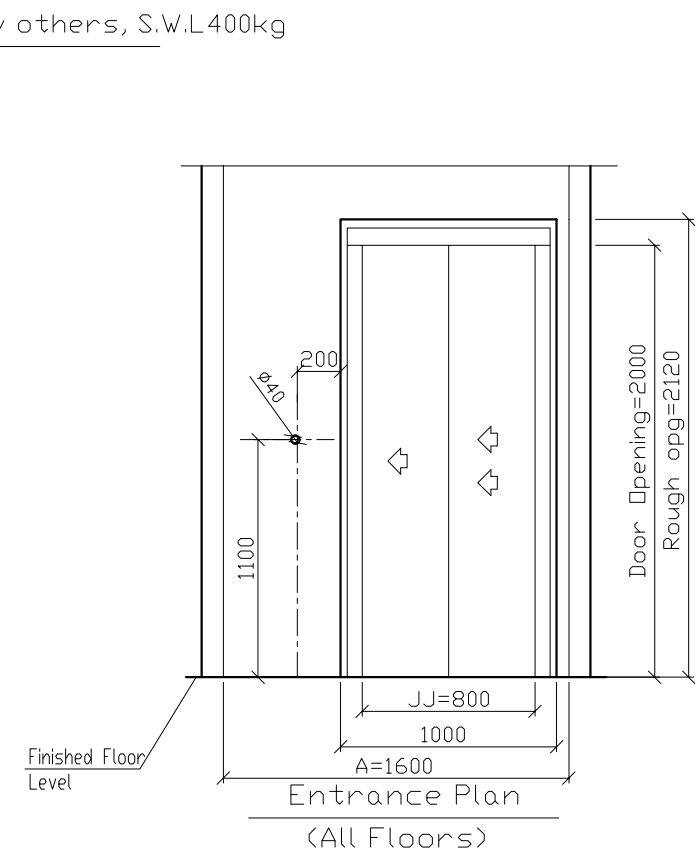
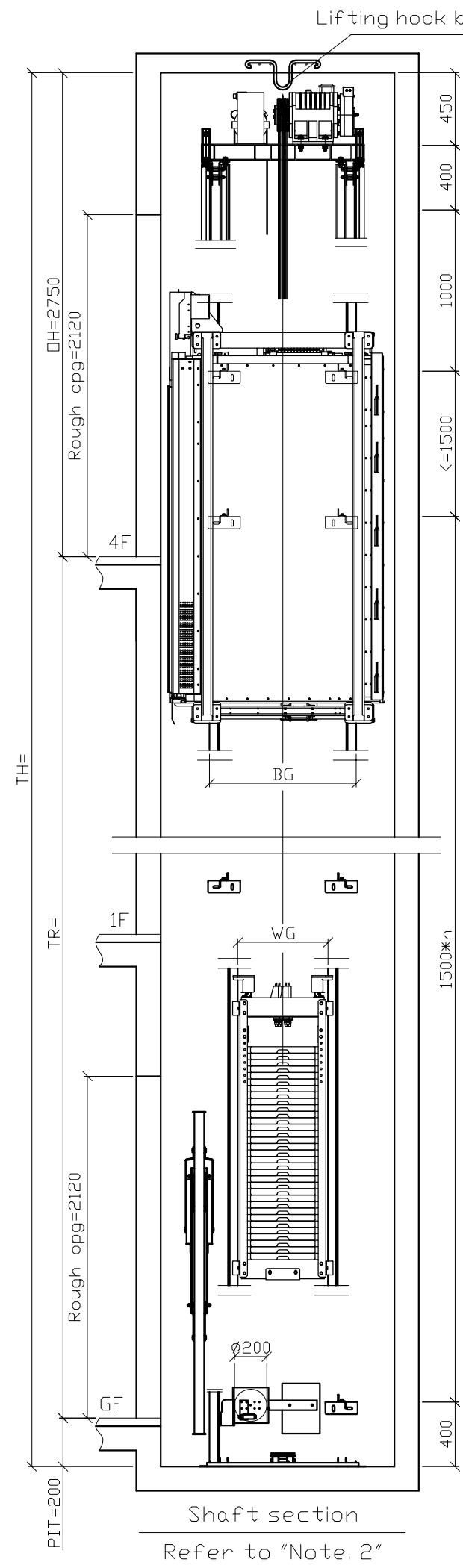
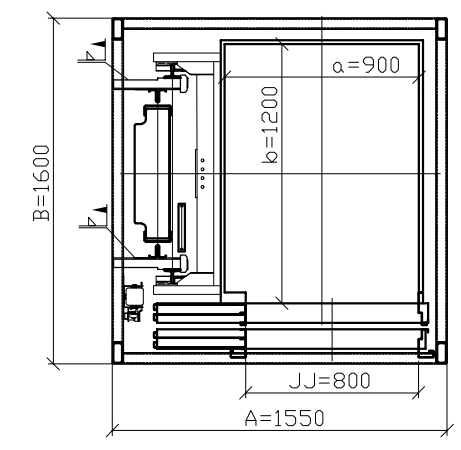


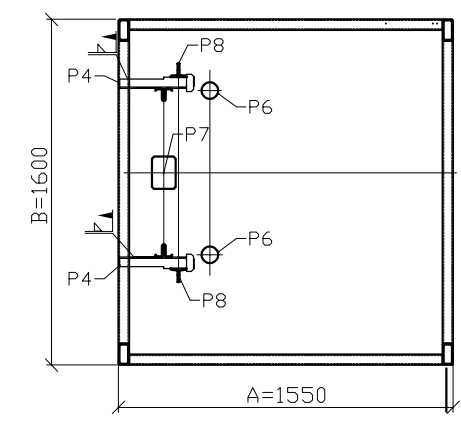
Size(m)	
TH	
TR	
PIT	0.2
4F(OH)	2.75
3F	
2F	
1F	
GF	
Pro	NO.(m)



Austand CH-3000 Series Pre-Assembled MRL Home Lift GAD Drawing Wheel Chair Access 400kg-4 persons



Lift Plan (for installation reference)



Shaft Wall and PIT reaction

Project: Austand standard drawing			
Approved by			
Sales Dept.	Client	Architect	Supervisor

Specification	
Type	Austand CH-3000 Series MRL Home Lifts
Drive	AC-VVVF
Control	Simplex
Load	400kg-P4
Speed	0.3m/Sec
Stops	05/05/05 (Floors / Stops / Doors)
Supply mains	AC-1P-240V-50HZ-±7%
Main supply C/B	25A
Door/Opening	2SL/800W*2000H
Car	900W*1200D*2160H
Shaft	1550W*1600D
Floor to floor	2500mm(min)
Shaft tolerance	minus 0. plus 13 on walls 20mm in travel
Travel height	12m(max)
Pit	200mm
Overhead	2750mm
Motor	0.8KW/6.0A
TM type/sheave	SGM230/D200mm
Rope	ø8mm(8x19s+NF/Roping 1:1)
Rail	Car:T75-3/B CWT:TK5A
Control panel	300mm(W)x520mm(H)x160mm(D)
Std.	AS 1735.16&18
Register NO.	ACC-

Reaction(KN)	
P4=2.7	Horizontal rail reactions
P6=30	Car buffer reaction
P7=24	CWT buffer reaction
P8=18	Safety gear reaction

- Notes:
1. Reactions in pit do not act simultaneously
 2. Each floor all round reserved for lift shaft must be solid concrete (Timber) structure
 3. Hollow brick is not permissible. Refer to CE for options
 4. Telephone line terminating at controller by others
 5. 240 volts 25 amp power supply terminating at controller, protected by 25 amp MCB by others. Power supply to be fed from live side of Home main switch

Drawing No.	AH-T400.03S
Version	A
Date	12-05-2021
Scale	1:1
Sheet	1/1
Approved	Tony
Checked	Eva
Drawn	

Title : Austand CH-3000 Pre-Assembled MRL Home lift (4 person)