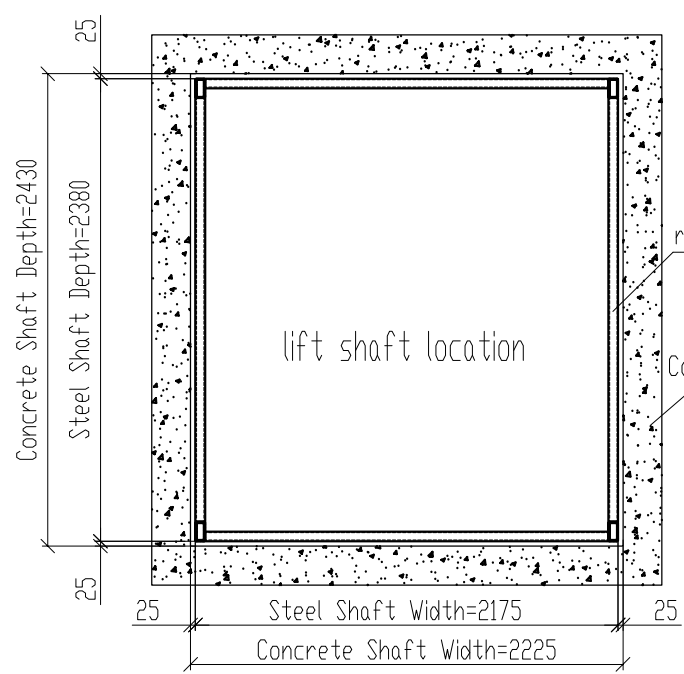
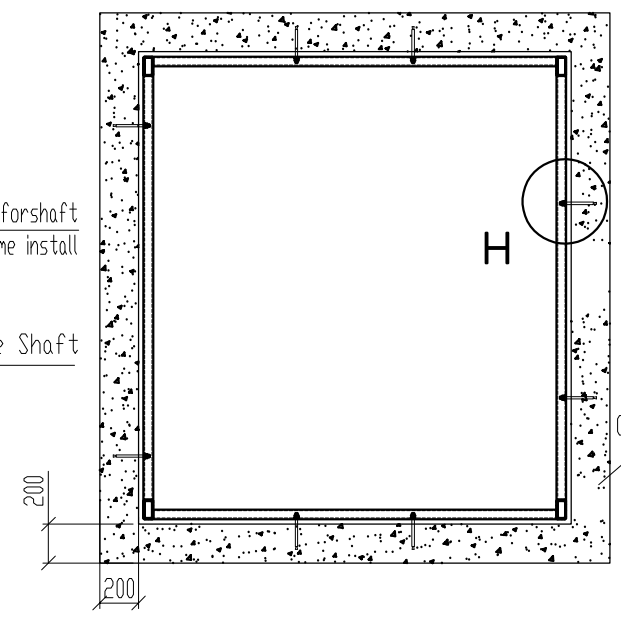


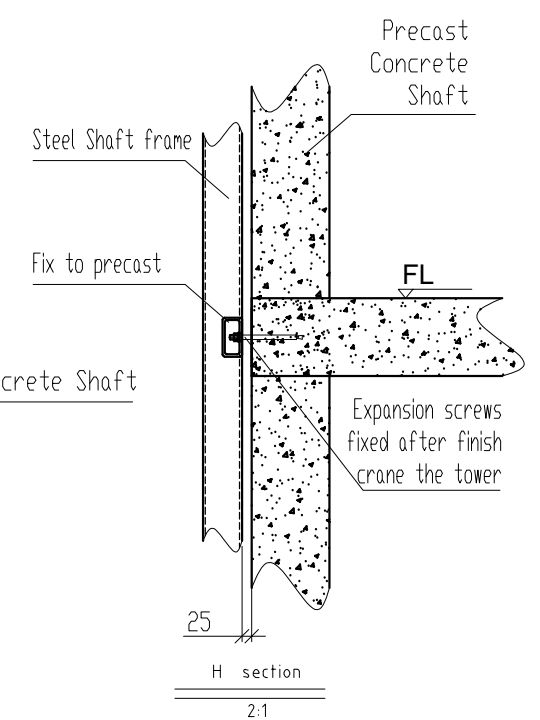
C--C Shaft section



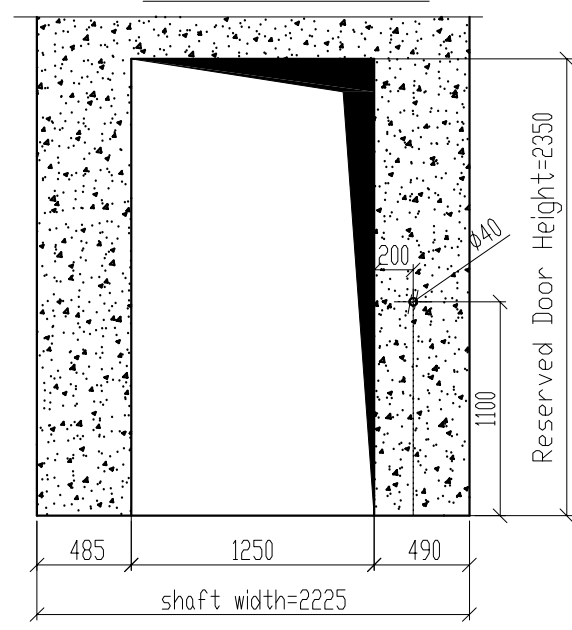
Floor plate reserved



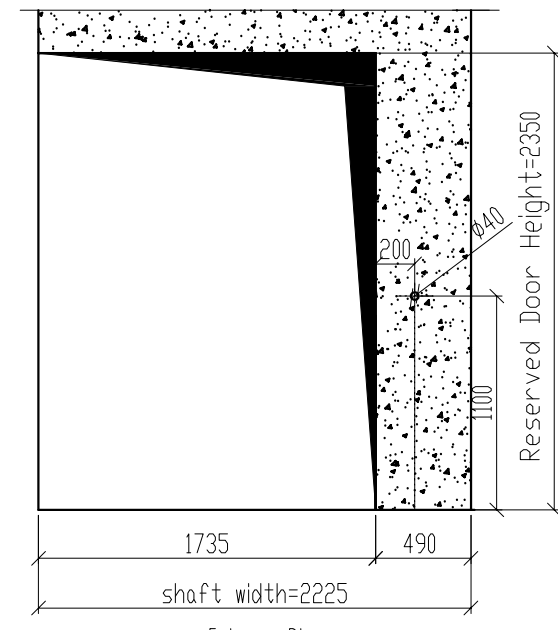
Shaft frame fix precast at FL



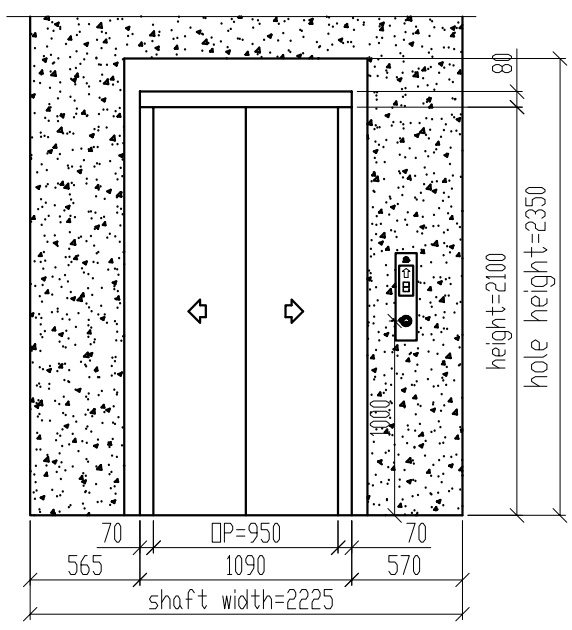
H section
2:1



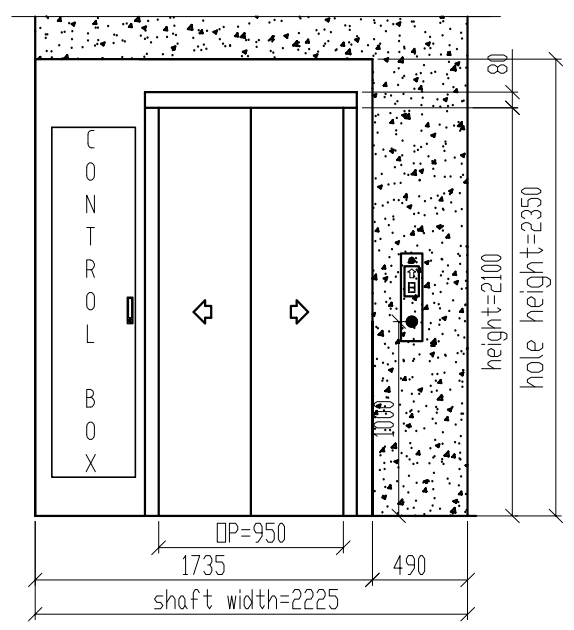
Entrance Plan
G Floor



Entrance Plan
top Floor



Entrance Plan
G Floor



Entrance Plan
top Floor

Austand CGR 1000 Series Pre-Assembled MRL Passenger lift GAD Drawing
 Stretcher access 13 persons

		AUSTAND Elevator	
Project: Austand standard drawing			
Contract No. :			
Type:	GAD-1000C-1.0-MRL	Sheet 2 of 6 sheets	
Designed by:	Eo	Date:	22/02/2022
Checked by:	Eva	Date:	22/02/2022
Approved by:	Tony	Date:	22/02/2022
		Edition:	A
			Drawg No. :
Title: Austand CGR Series Pre-Assembled MRL Passenger Lift (13person)			