

At the position of shaft where people can reach, the maximum load should be designed as 5000N at the bottom of shaft. And solid peg should be placed under the counterweight bumper extending to the firm ground.

C30 steel concrete base (For installation of buffer. 4 PCS of φ12 steel bar are reserved here which should be out of pit ground 300 at least. Those bars should be at the circle of φ300). (Supported by owner)

Equipment Specification		
Elevator Type	Passenger Lift	
Rated Load	630kg	
Rated Speed	1.0m/s	
Control Style	Simplex	
Floor/Stop/Door	06/06/06	
Door Open Type	2-panel center	
Door Dimension (W*H) (mm)	800*2100	
Car Dimension (W*D*H) (mm)	1200*1300*2350	
Suspension	2:1	
Shaft Dimension (W*D) (mm)	1950*1700	
Travel Height (TH)		
Pit Depth (PIT)	1400mm	
Shaft Head Height (OH)	3900mm	
Motor	Gearless	
HP (KW)	4.5KW	
Rope	5*φ8(Pitch 12)	
Rope Length (m)		
Rail	T75(Car)/T75(C.W.T)	
Rail Height (m)		
Quantity of guide rail brackets		
Buffer	HYF80B(Car)/HYF80B(C.W.T)	
Safety gear	Progressive	
Hall dimension of the upper side of the shaft	1100*2350	
Car weight	1100kg	
Weight of counterweight	1550kg	
Control panel	VWF/Full Collective	
Traction Machine	Outputs	4.5KW
	Rated Current	11.8A
Power Supply	For Power	A.C 3-415V 50HZ
	For Light	A.C 1-240V 50HZ
	Capacity(for power)	7.5KVA
	Capacity(for light)	3.3KVA
Force(KN)	P1 (Car)	78
	P2 (C.W.T.)	62
	N1	35
	N2	55

SIZE(m)	
TH	
TR	
PIT	1.4
5F(OH)	3.9
4F	
3F	
2F	
1F	
GF	
Pro	No.(m)

Project: \_\_\_\_\_

Contract No.: \_\_\_\_\_

Type: SLP630-1.0-C0

Name: \_\_\_\_\_ Date: \_\_\_\_\_ Edition: \_\_\_\_\_

Designed by: Eva

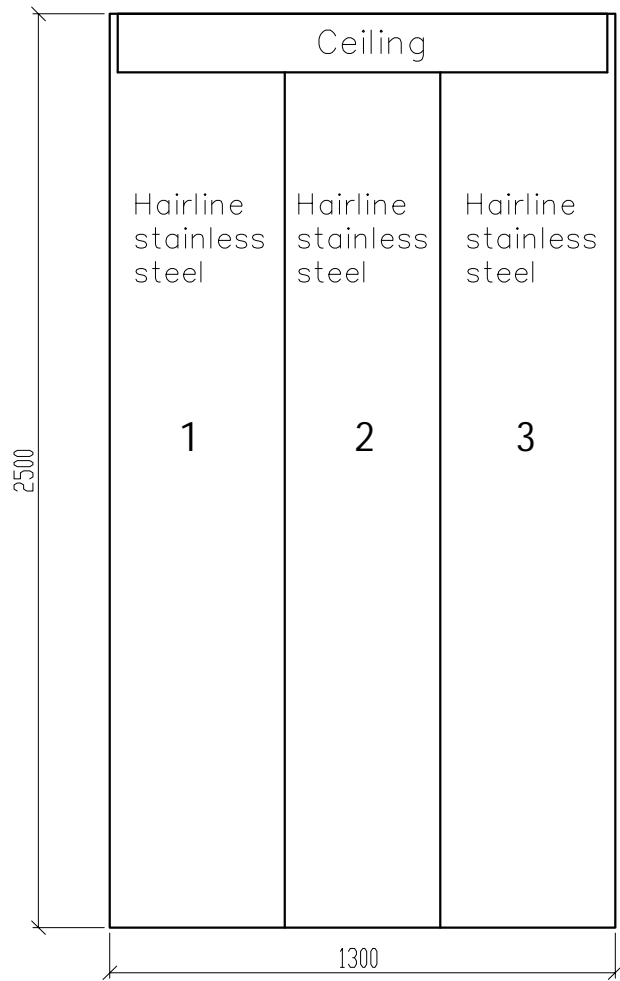
Checked by: Tony

Approved by: Joe

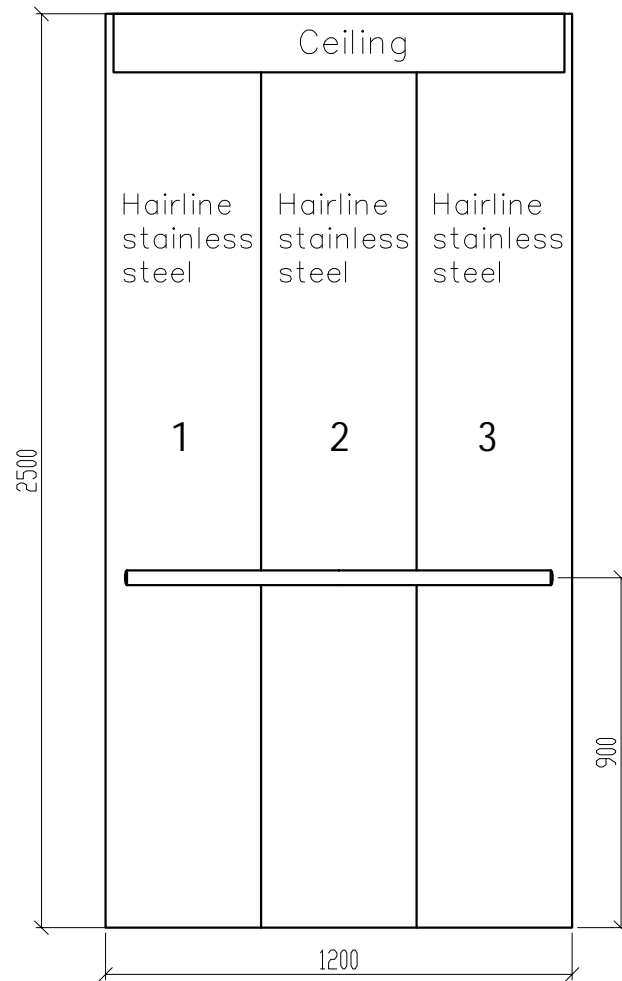
Drawg No.: DS-20161107-01

Title: AUSTAND SLP Series

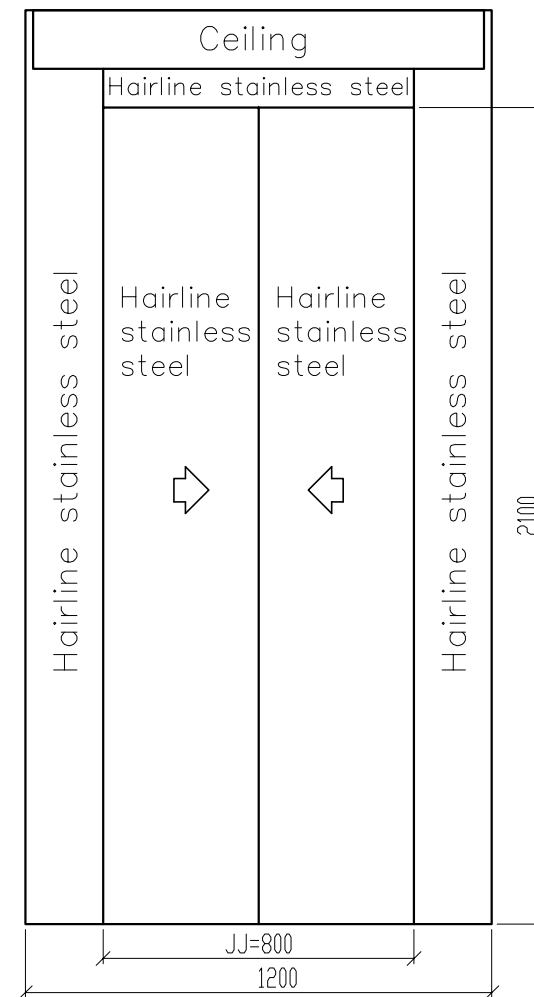




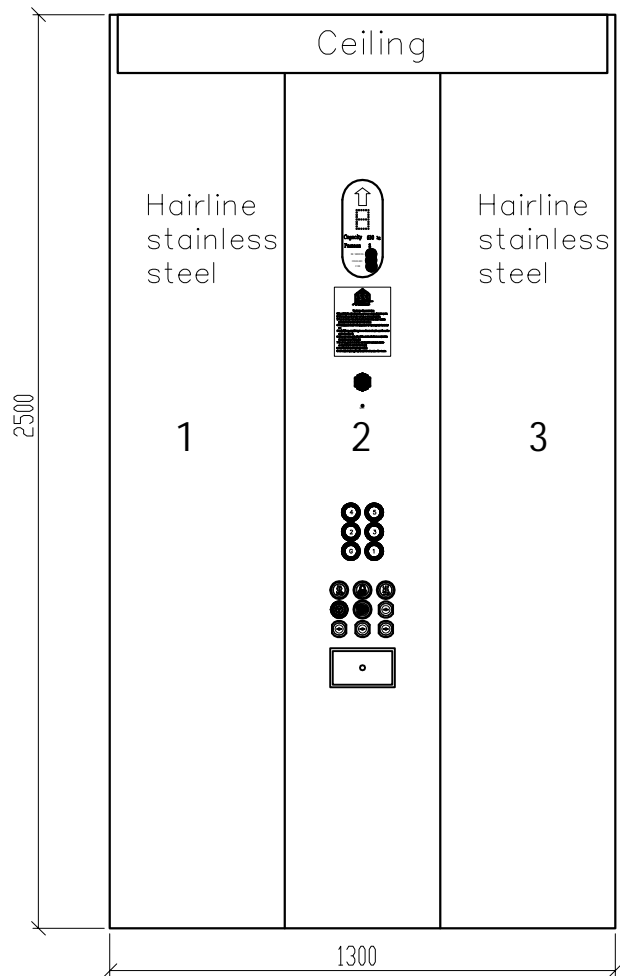
A



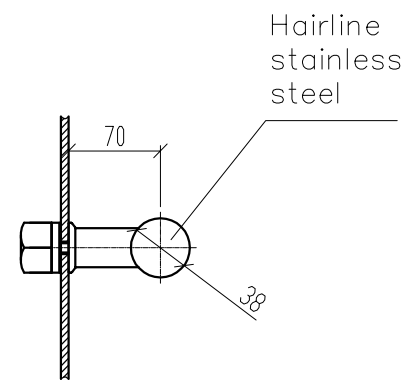
B



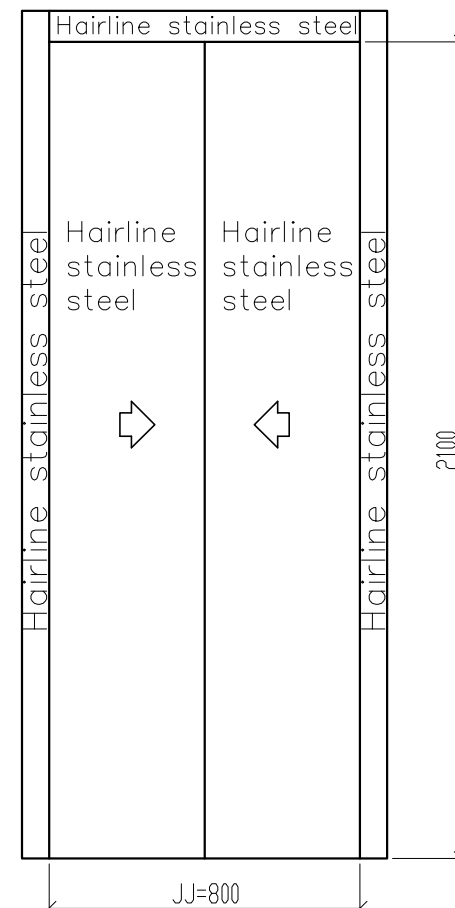
D



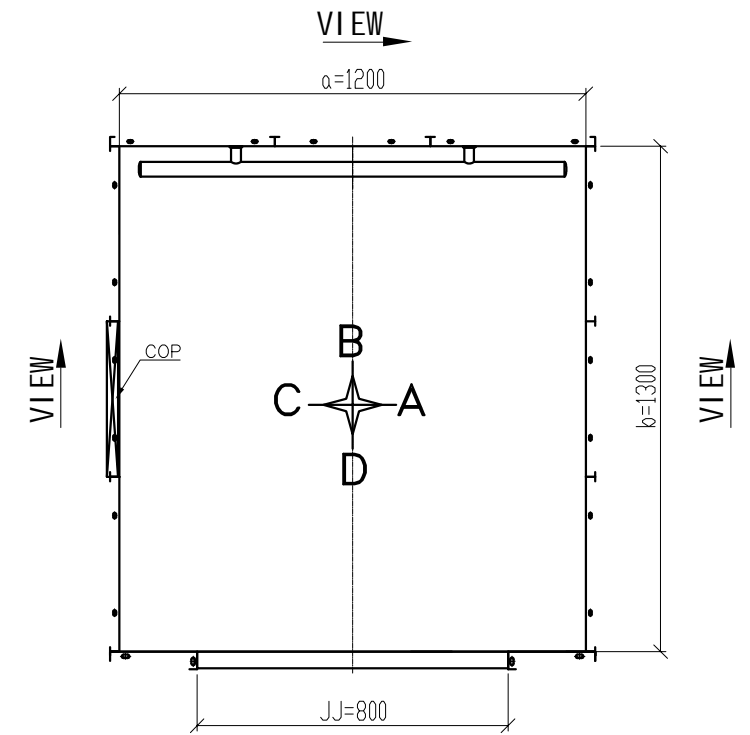
C



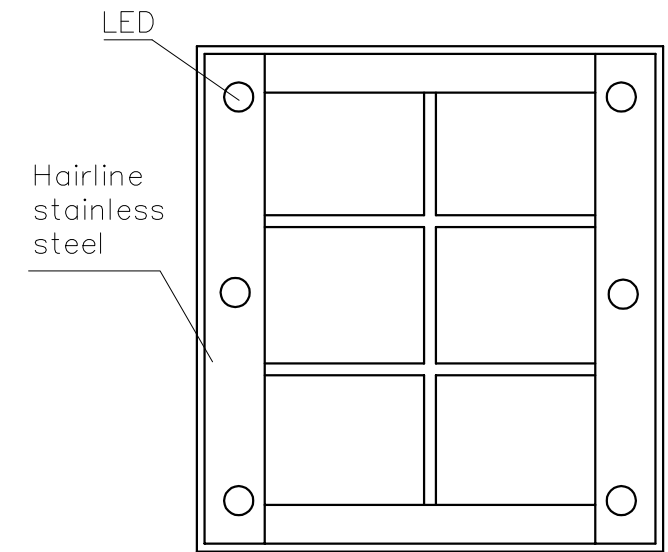
Handrai I  
1:8




Landing Door

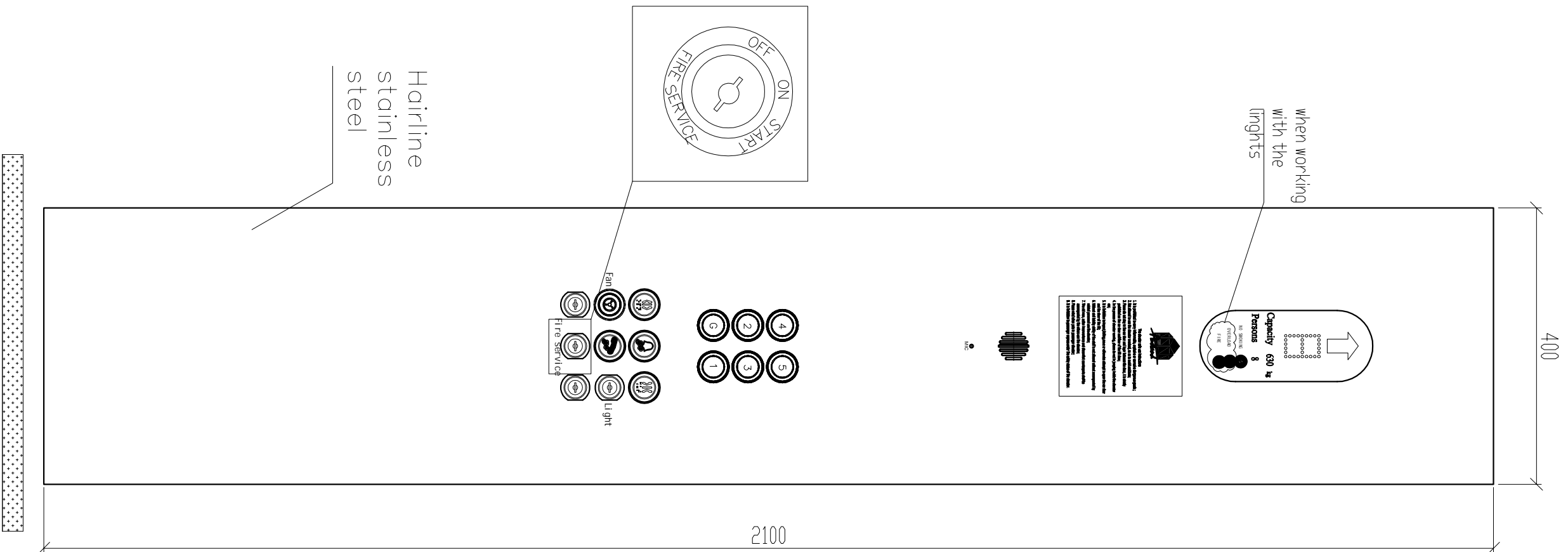


Floor plan

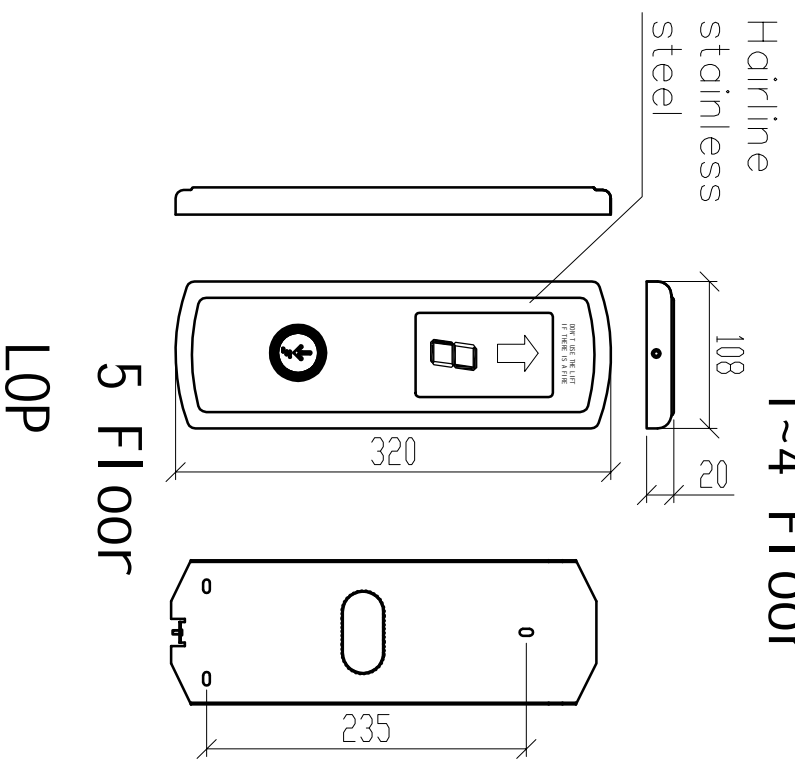
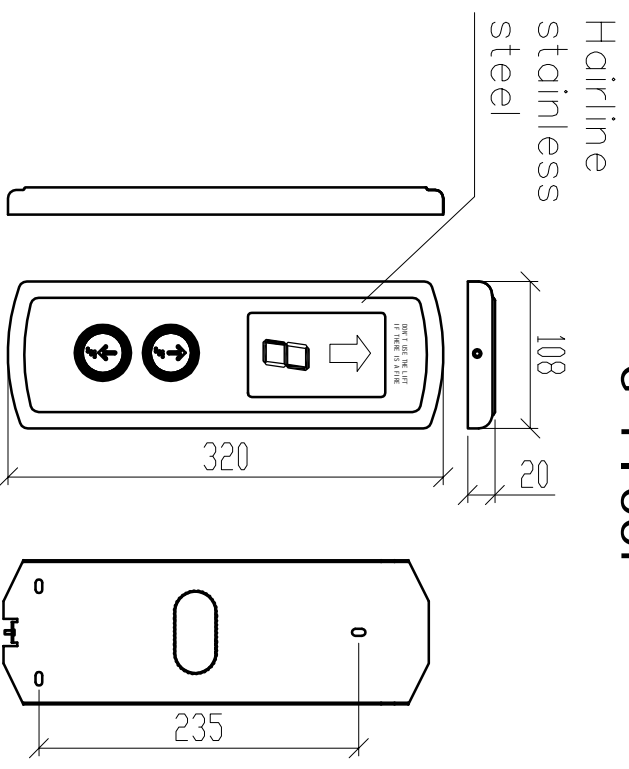
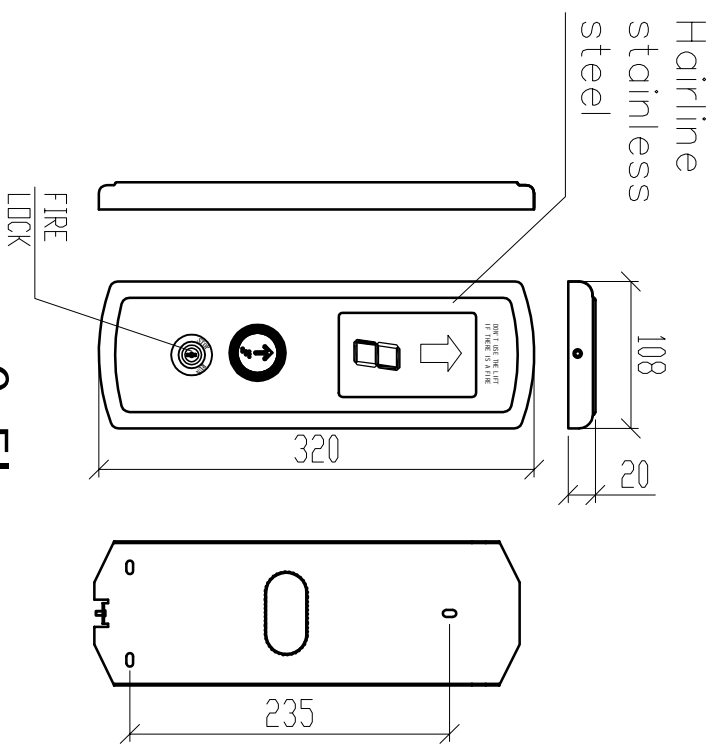


Ceiling plan

 <b>AUSTAND Elevator</b>				
Project:				
Contract No.:				
Type: SLP630-1.0-C0				Sheet 2 of 3 sheets
Designed by:	Name: Eva	Date:	Edition:	Drawg No. : DS-20161108-01
Checked by:	Tony		A	
Approved by:	Joe			
Title: <b>AUSTAND SLP Series</b>				



COP  
4:1



LOP  
5:1



AUSTAND Elevator

Project:

Contract No.:

Type: SLP630-1.0-C0

Sheet 3 of 3 sheets

Name: Date: Edition:

Designed by: Eva

Checked by: Tony

Approved by: Joe

Checked by: Tony

A

Drawng No.:

DS-20161108-01

Title AUSTAND SLP Series