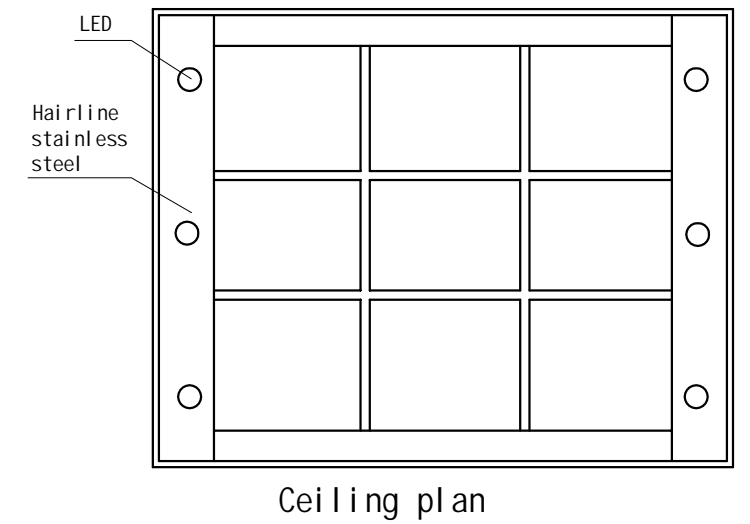
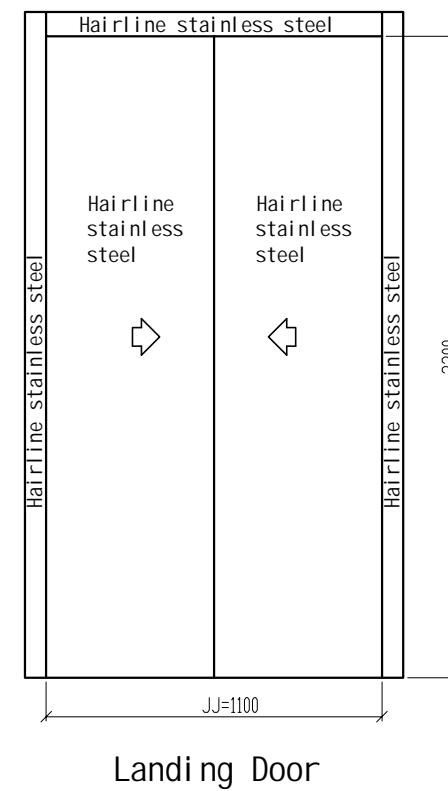
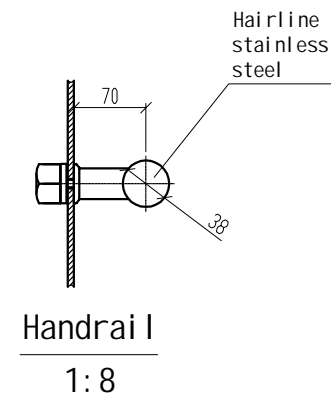
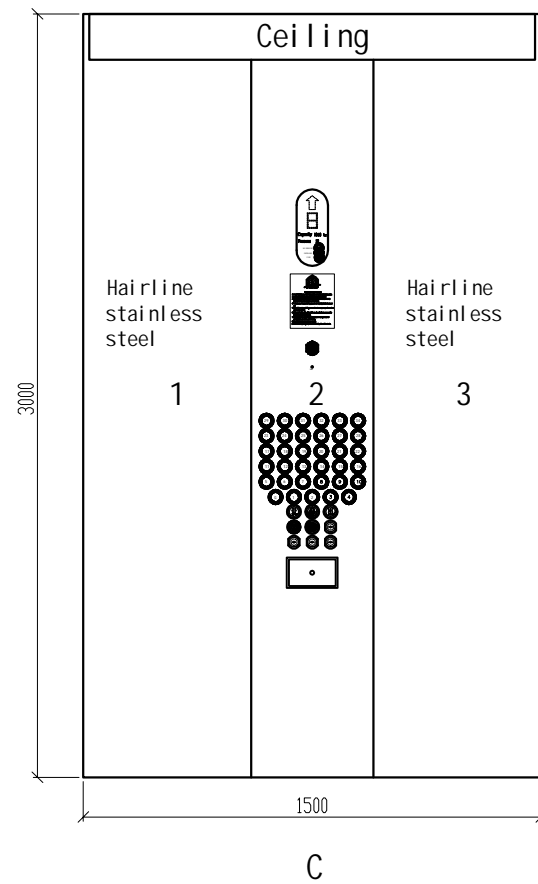
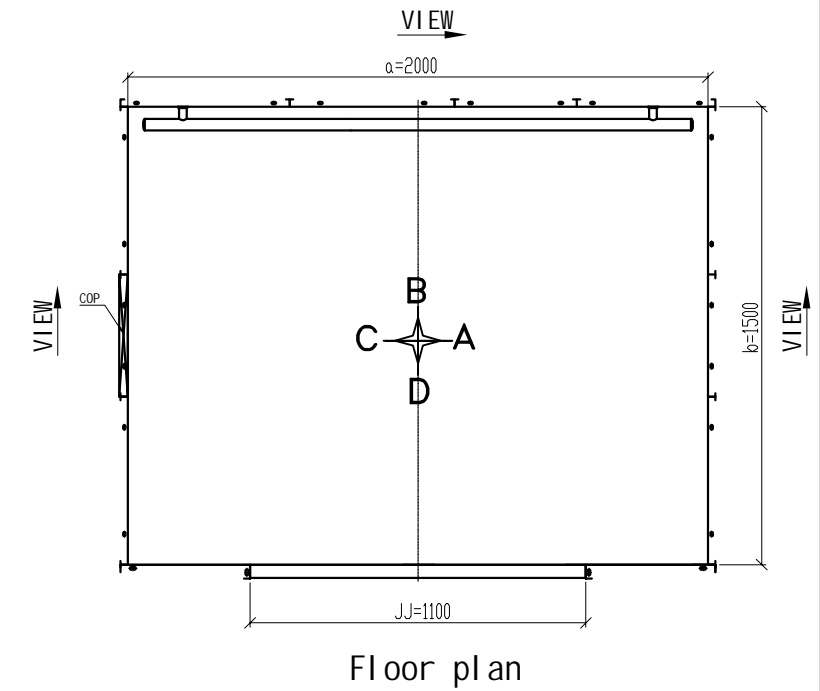
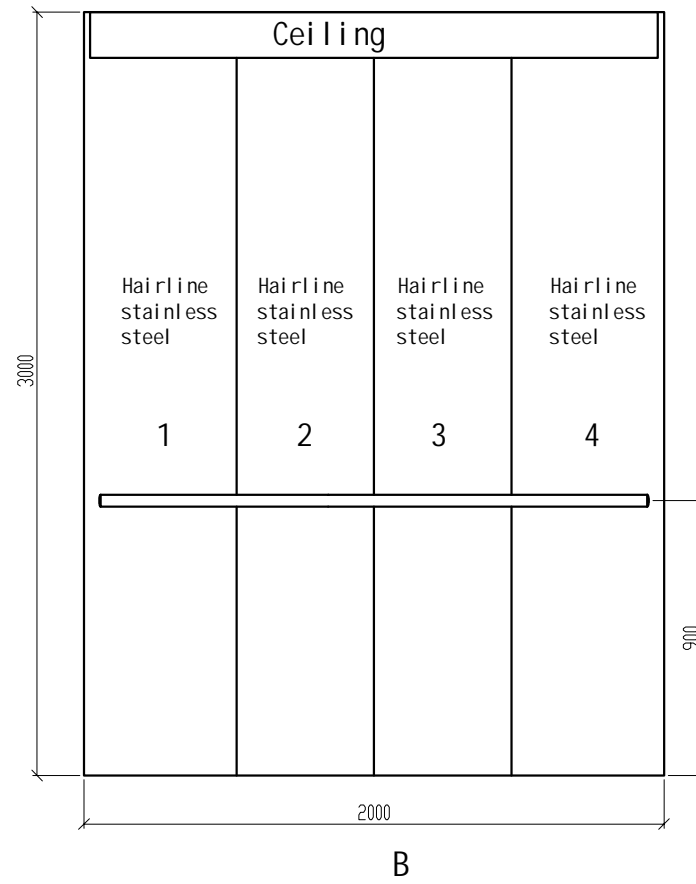
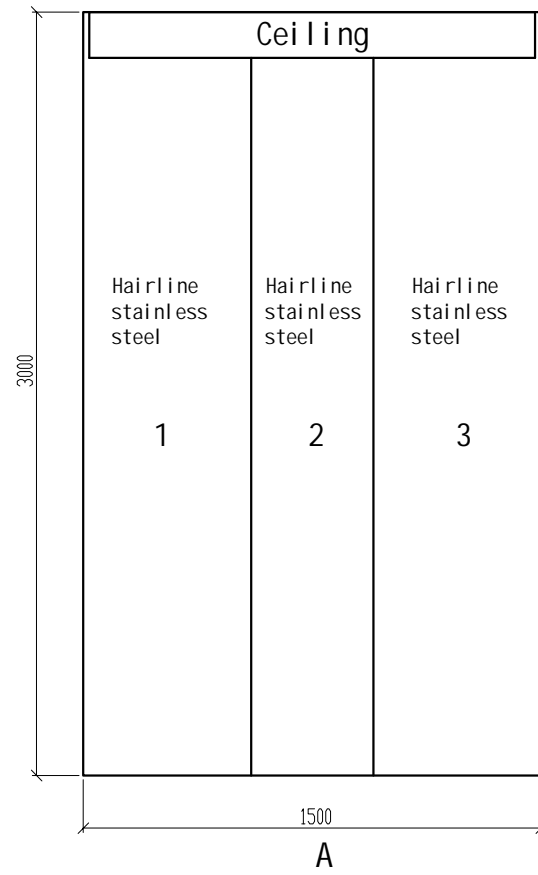

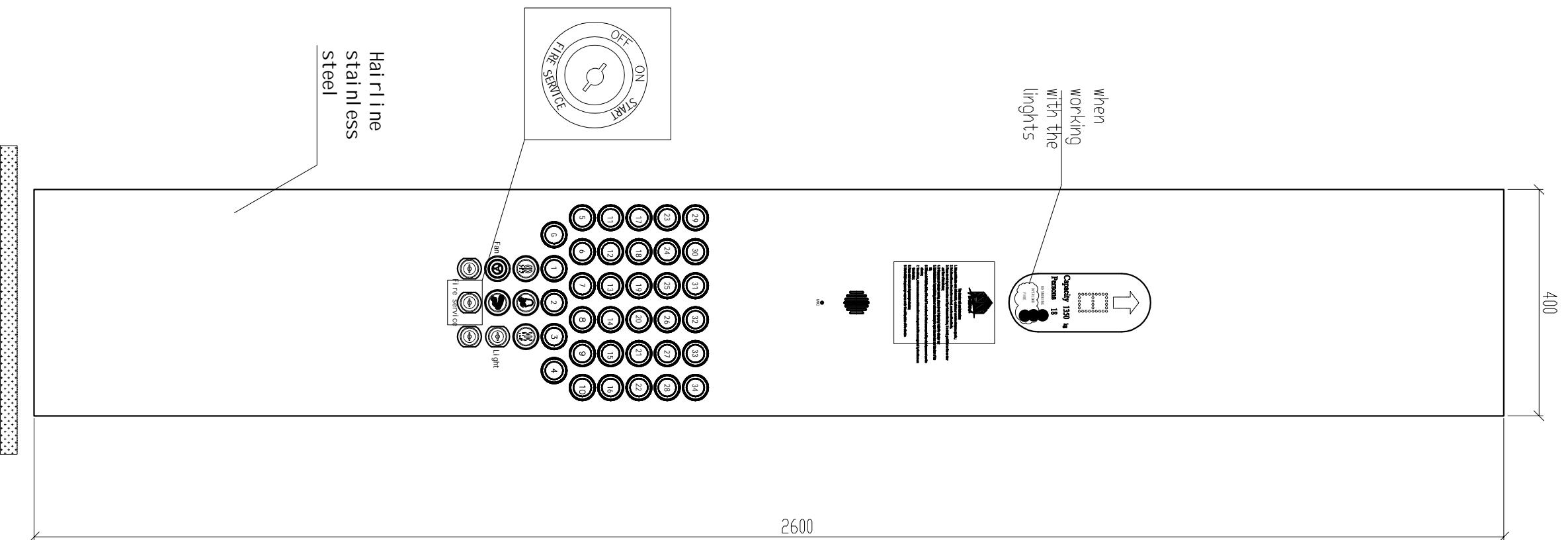


SIZE(m)	
TH	
TR	
PIT	4.5
34F(OH)	7.0
33F	
32F	
31F	
30F	
29F	
7F	
6F	
5F	
4F	
3F	
2F	
1F	
GF	
Pro	No. (m)

Equipment Specification								
Elevator Type	Passenger Lift							
Rated Load	1350kg							
Rated Speed	4.0m/s							
Control Style	Simplex							
Floor/Stop/Door	35/35/35							
Door Open Type	2-panel center							
Door Dimension (W*H) (mm)	1100*2300							
Car Dimension (W*D*H) (mm)	2000*1500*3000							
Suspension	2:1							
Shaft Dimension (W*D) (mm)	2700*2450							
Travel Height (TH)								
Pit Depth (PIT)	4500mm							
Shaft Head Height (OH)	7000mm							
Motor	Gearless							
HP (KW)	43.6kW							
Rope								
Rope Length (m)								
Rail	T140(Car)/T127(C.W.T)							
Rail Height (m)								
Quantity of guide rail brackets								
Buffer								
Safety gear	Progressive							
Hall dimension of the upper side of the shaft	1400*2550							
Car weight	1600kg							
Weight of counterweight	2300kg							
Control panel	VVF/Full Collective							
Traction Machine	Outputs	43.6KW						
	Rated Current							
Power Supply	For Power	A.C 3-415V 50HZ						
	For light	A.C 1-240V 50HZ						
	Capacity(for power)	7.5KVA						
	Capacity(for light)	3.3KVA						
Force(KN)	P1 (Car)	174						
	P2 (C.W.T.)	147						
	N1	75						
	N2	103						
Project:								
Contract No.:								
Type: SLP1350-4.0-C0								
Sheet 1 of 3 sheets								
Designed by:	Name:	Eva	Date:		Edition:	A	Drawg No.:	DS-20161108-04
	Checked by:	Tony						
	Approved by:	Joe						
Title		AUSTAND SLP Series						

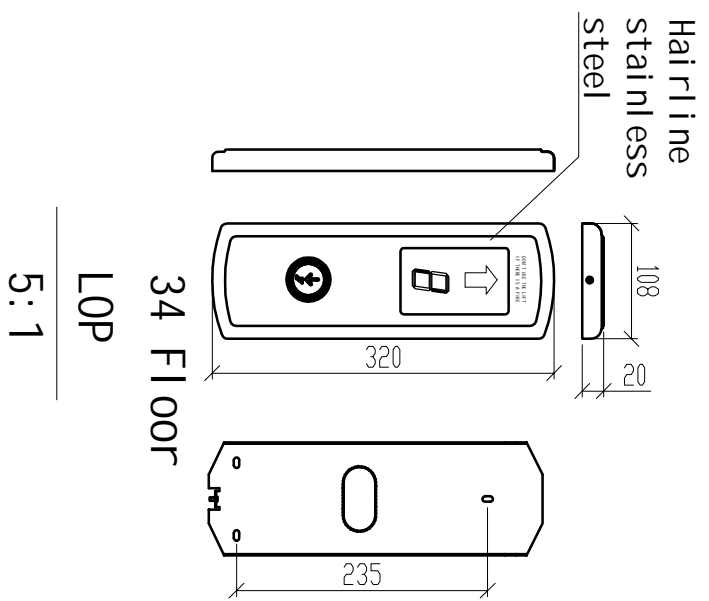
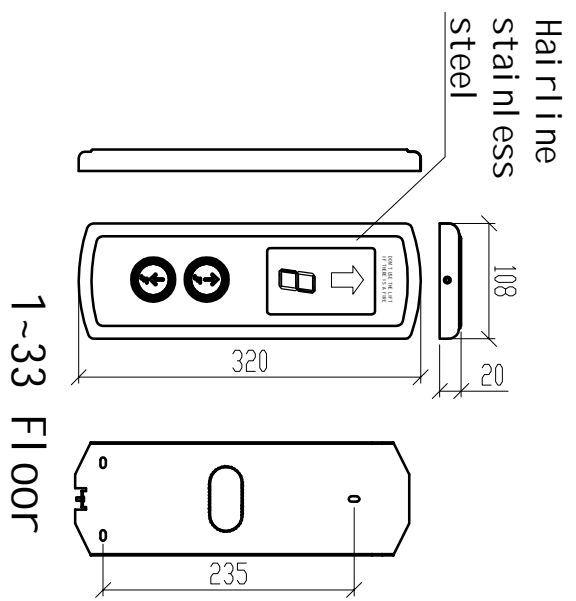
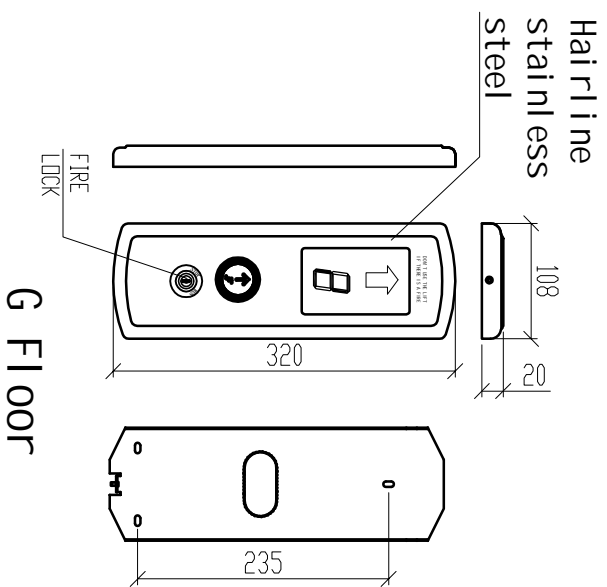


 Austand Elevator				
Project:				
Contract No.:				
Type: SLP1350-4.0-C0				Sheet 2 of 3 sheets
Designed by:	Eva	Date:	Edition:	Drawg No. : DS-20161108-04
Checked by:	Tony		A	
Approved by:	Joe			
Title: AUSTAND SLP Series				



COP

4:1



Austand Elevator

Project:

Contract No. :

Type: SLP1350-4.0-C0

Sheet 3 of 3 sheets

Name:	Date:	Edi tion:	Drawg No. : DS-20161108-04
Designed by: Eva			
Checked by: Tony		A	
Approved by: Joe			

AUSTAND SLP Series