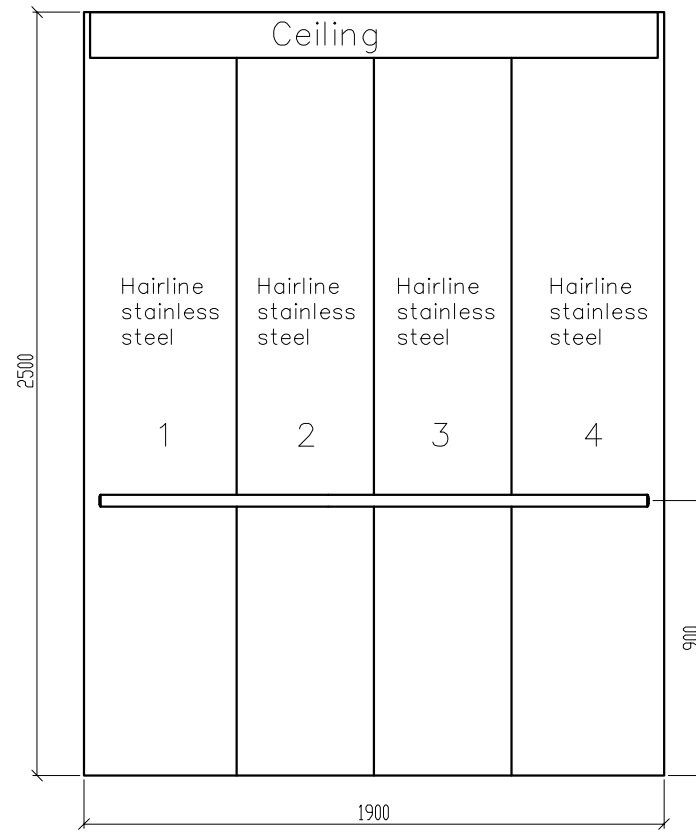
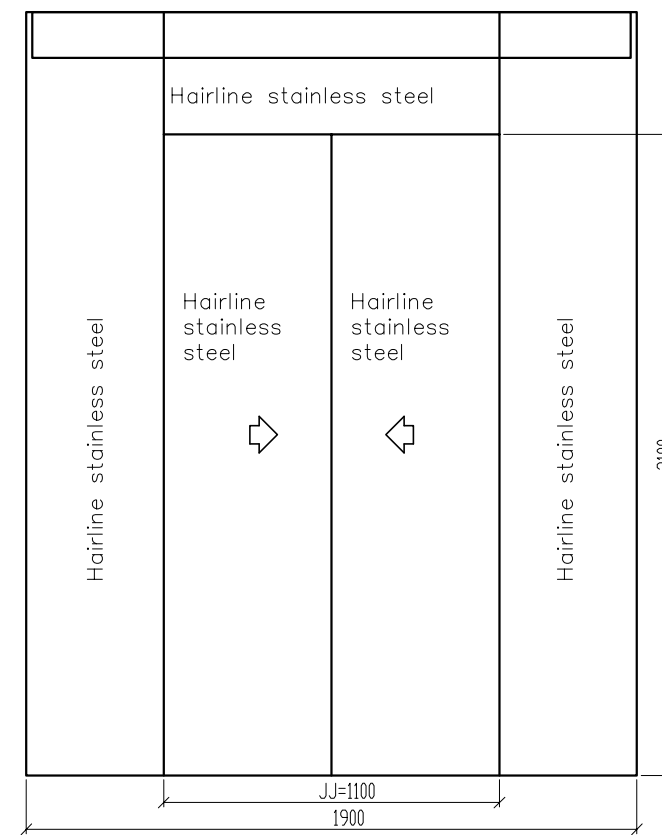


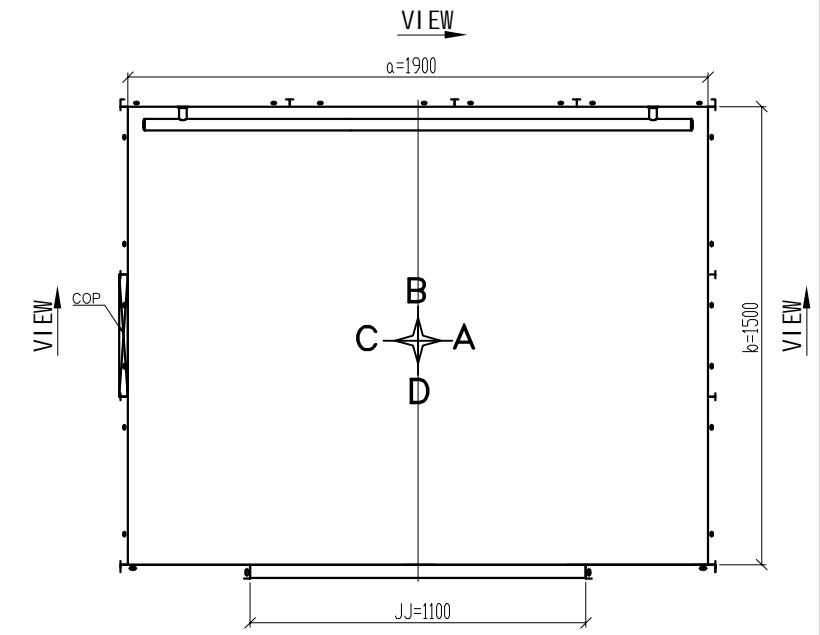
A



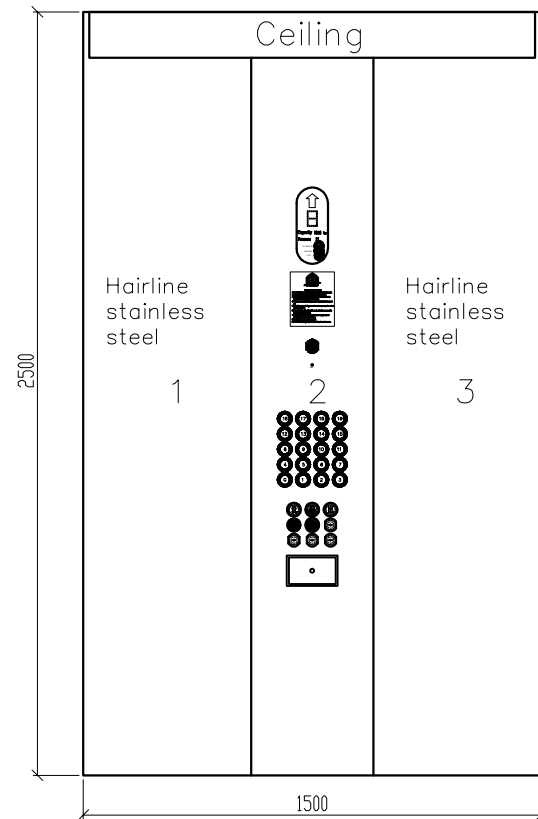
B



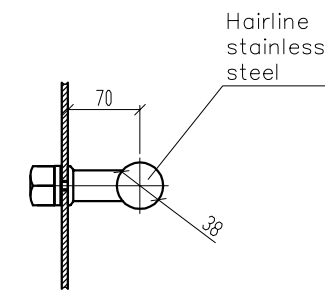
D



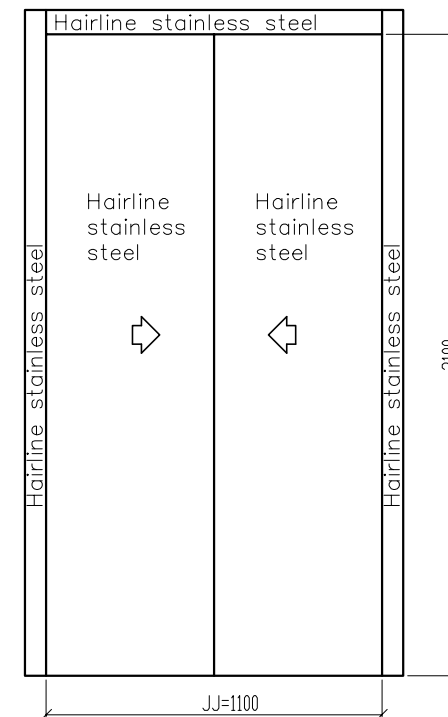
Floor plan



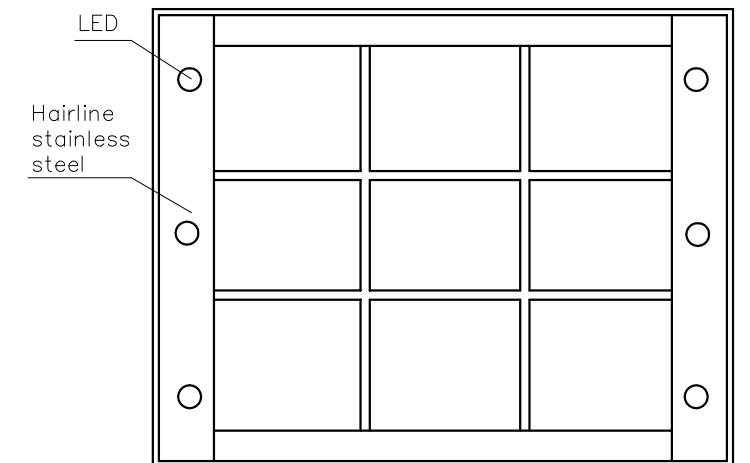
C




Handrail
1:8

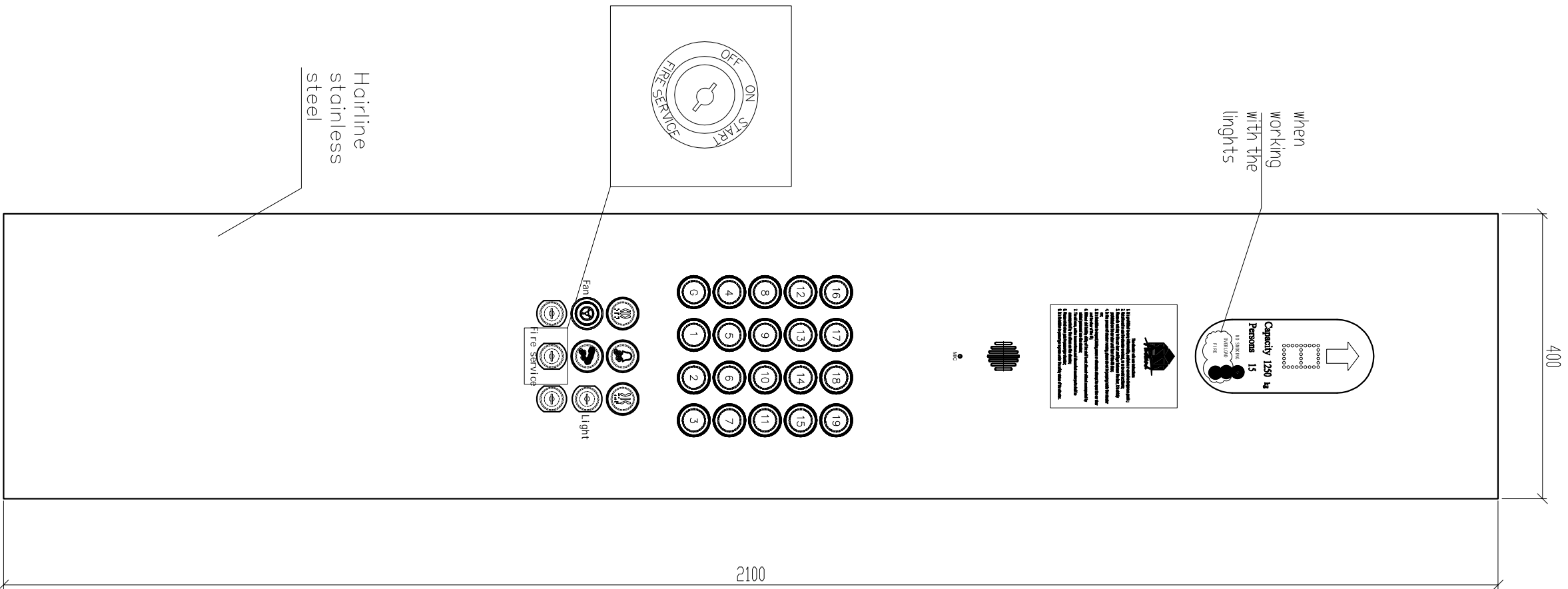


Landing Door

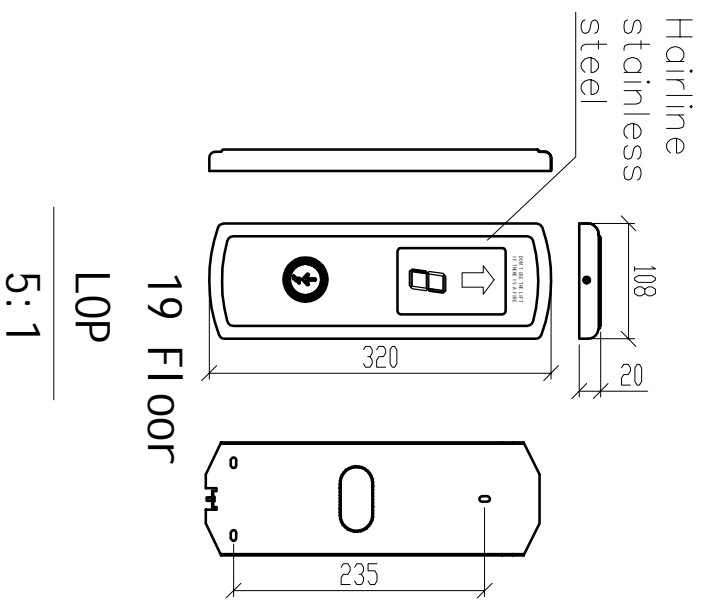
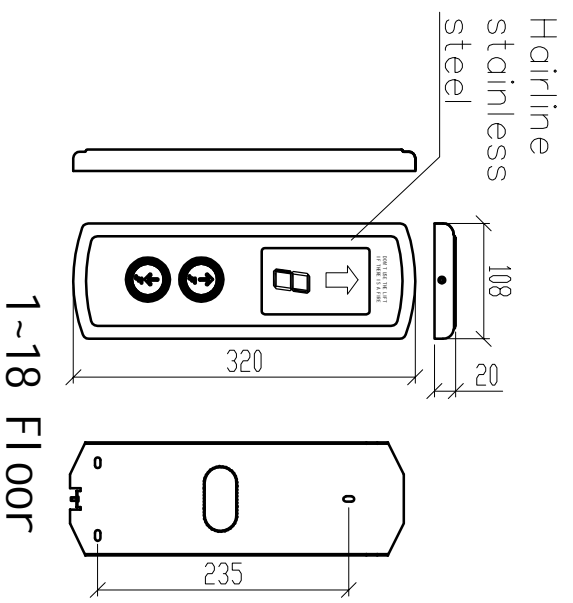
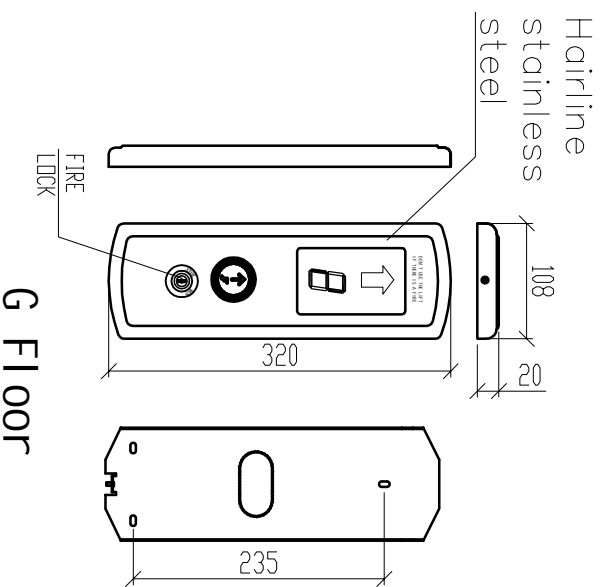


Ceiling plan

 Austand Elevator				
Project:				
Contract No.:				
Type: SLP1250-2.0-C0				Sheet 2 of 3 sheets
Designed by:	Eva	Date:	Edition:	Drawg No. : DS-20161108-03
Checked by:	Tony		A	
Approved by:	Joe			
Title: AUSTAND SLP Series				



COP
5:1



Austand Elevator

Project:

Contract No. :

Type: SLP1250-2.0-C0

Sheet 3 of 3 sheets

Name: Date: Edition:

Designed by:

Eva

Drawng No. :

Checked by:

Tony

A

DS-20161108-03

Approved by:

Joe

Title

AUSTAND SLP Series