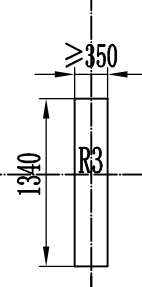
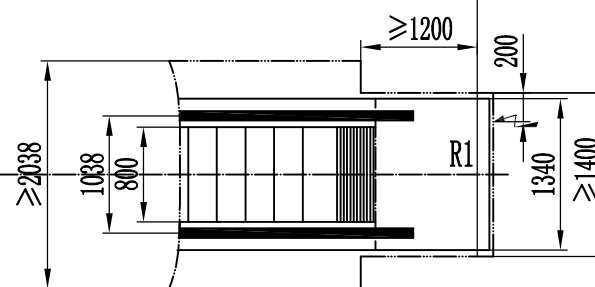


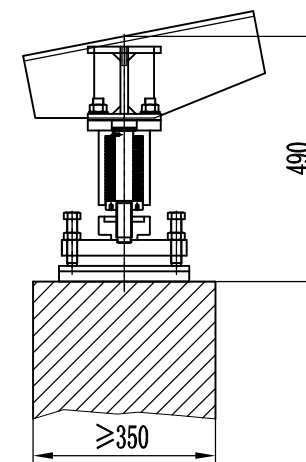
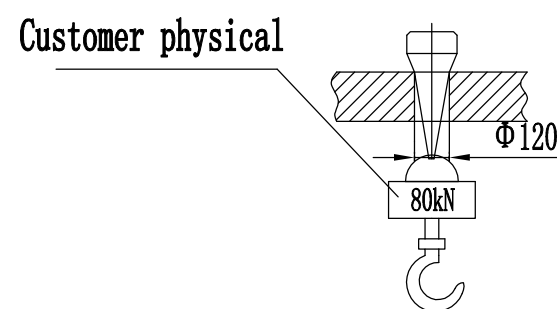
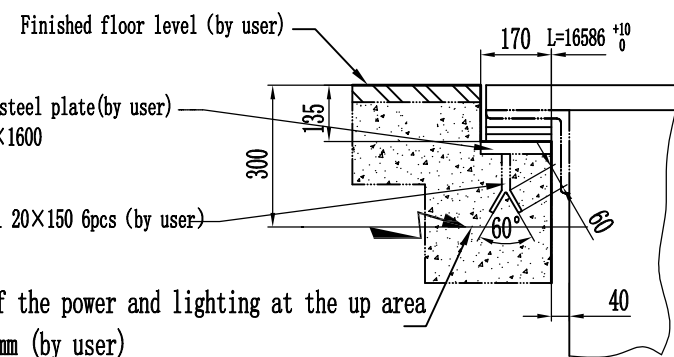
Detail A




Detail B



Detail C



Supply the wire of the power and lighting at the up area  
The wire is 5x10mm (by user)

Specification parameter		
Type	DSE-S	
Speed(m/s)	0.5m/s	
Ri se	H = 3000 mm	
Angle	12°	
Supporting R1 (kN)	80 kN	
Supporting R2 (kN)	69 kN	
Supporting R3 (kN)	171 kN	
power	Power Supply	Three-phase AC 415V 50HZ
	Lighting Supply	Single-phase AC 240V 50HZ
Item name		
 <b>AUSTAND Elevator</b>		

Approving construction based the request of the layoutdrawing	
sealed by buyer	
signed by buyer	
Date	
contract number	
Designed by	Eva
Auditing by	Tony