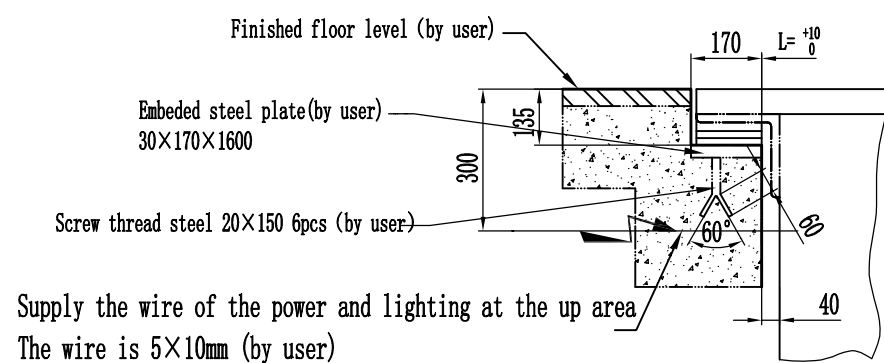
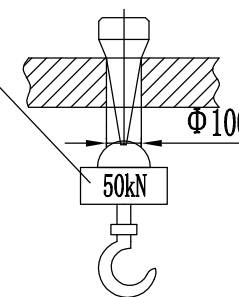


Detail A

Detail B



Customer physical



Specification parameter

Type	DSE-H	
Speed (m/s)	0.5m/s	
Ri se	$L \leq 150$ m	
Angle	0°	
Supporting R1 (kN)	kN	
Supporting R2 (kN)	kN	
Supporting R3 (kN)	kN	
power	Power Supply	Three-phase AC 415V 50HZ
	Lighting Supply	Single-phase AC 240V 50HZ
contract number	Item name	

Approving construction based the request of the layoutdrawing	
sealed by buyer	
signed by buyer	
Date	
contract number	
Designed by	Eva
Auditing by	Tony



AUSTAND Elevator