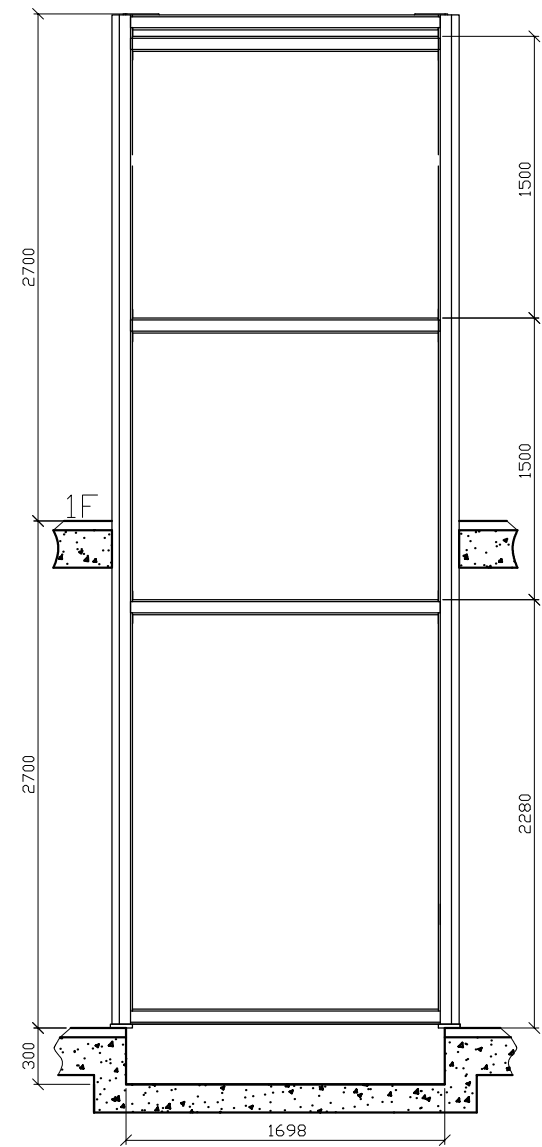
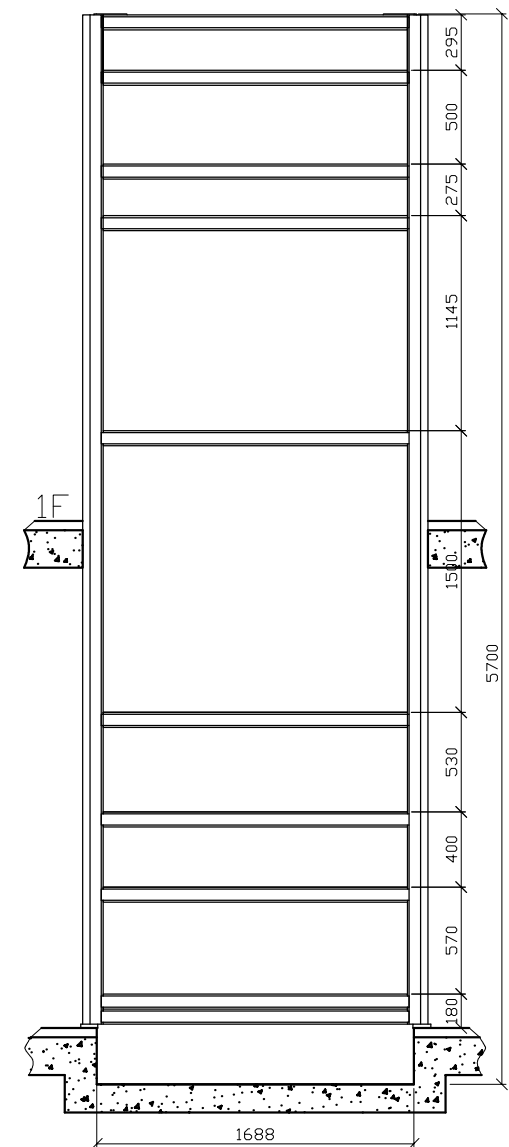


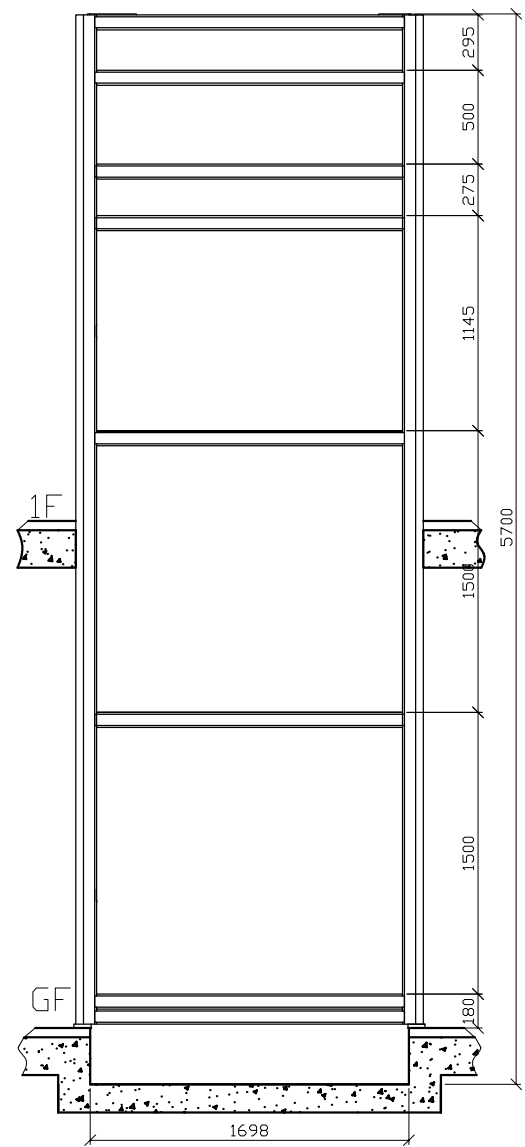
A direction Shaft section



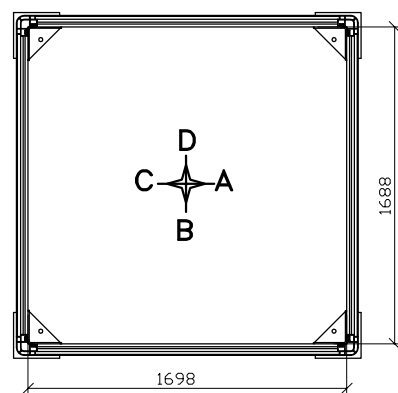
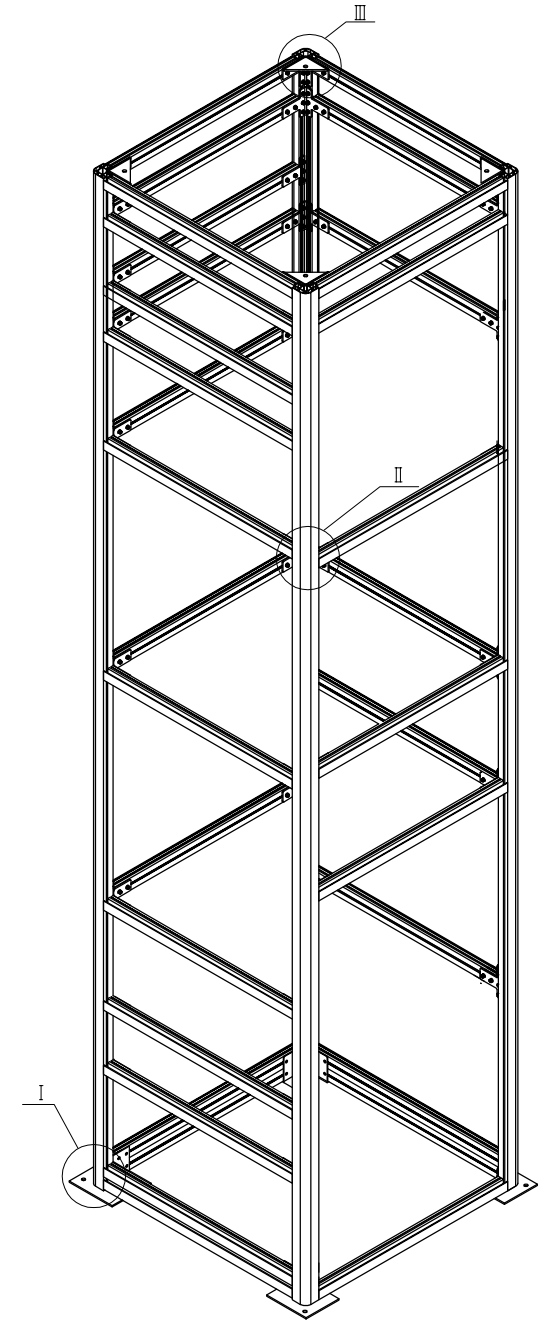
B direction Shaft section



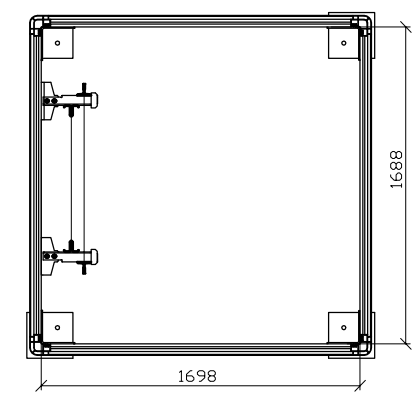
C direction Shaft section



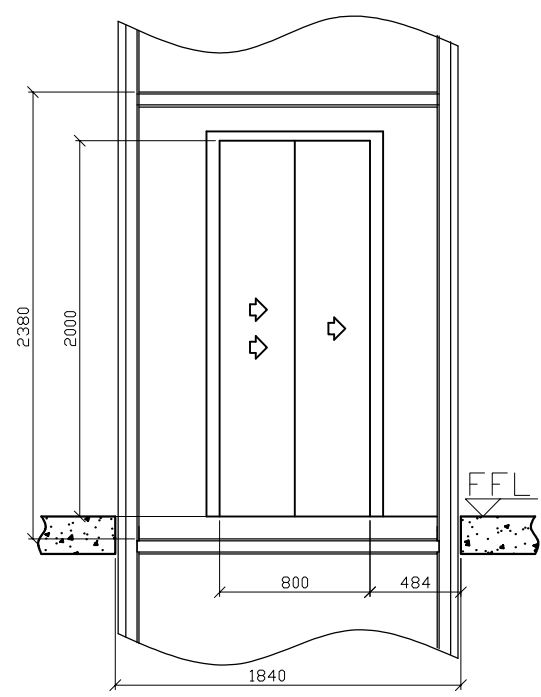
D direction Shaft section



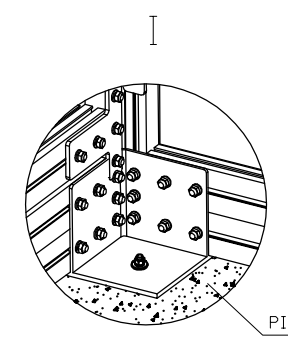
DH section



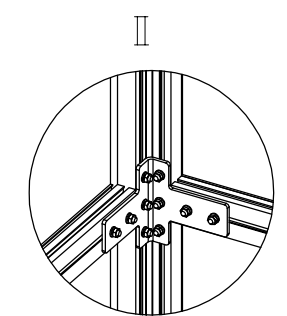
PIT section



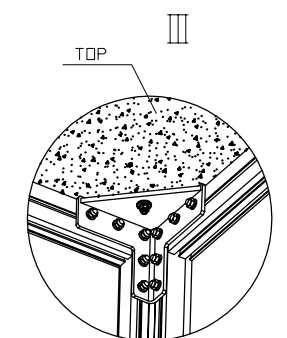
A--A



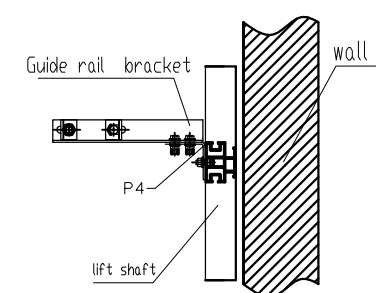
PIT




II



TOP



Guide rail bracket installation

 Austand Elevator					
Project:					
Drawing No.	AH-Y300A.03S		Approved		
Version	A	Scale	1:1	Checked	Tony
Date		Sheet	2/2	Drawn	Eva
Title: HOME LIFT LAYOUT CH-3000					